

**AERODROME OBSTACLE CHART - ICAO
TYPE - A (OPERATING LIMITATIONS)**

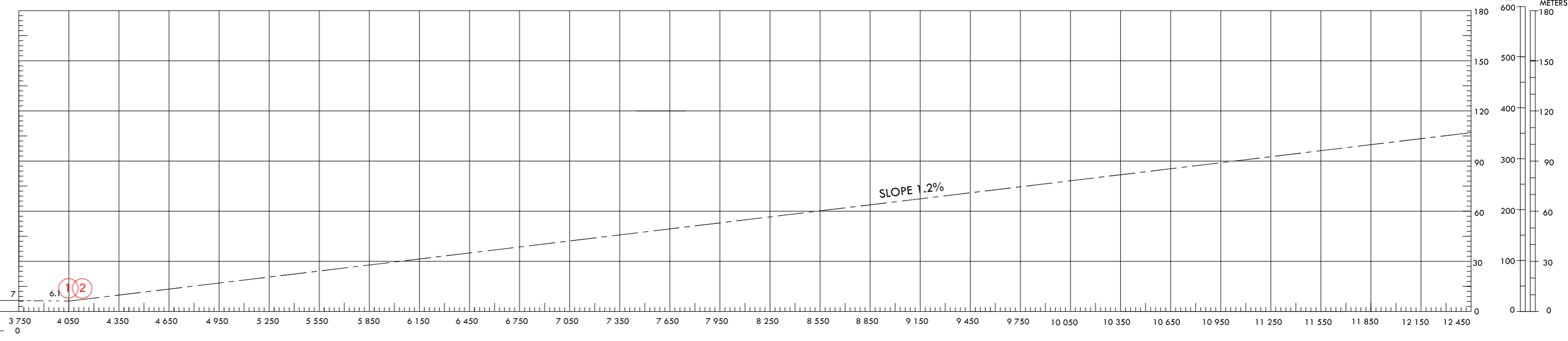
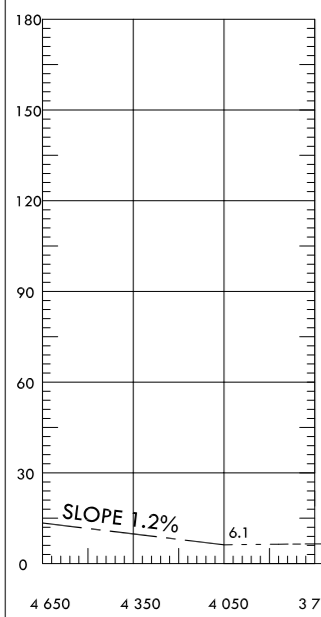
SEOUL / Incheon Intl

DIMENSIONS AND ELEVATIONS IN METERS

MAGNETIC VARIATION 8° W - 2015

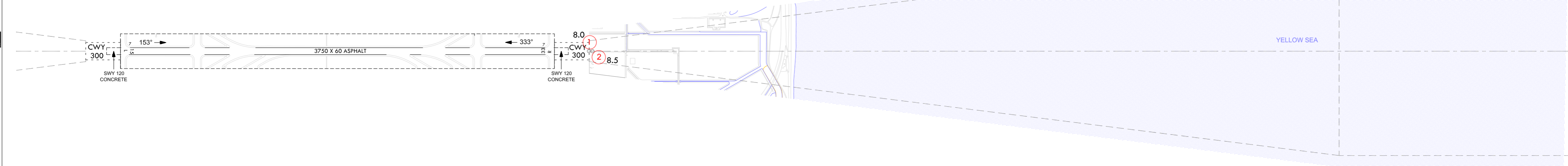
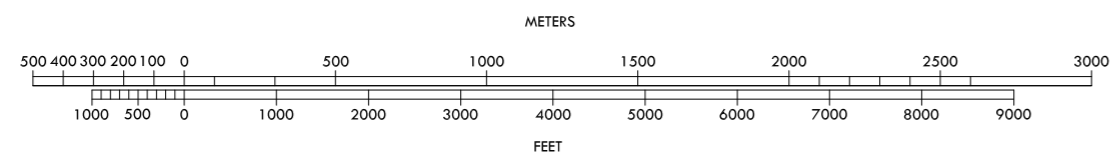
RWY 15L / 33R

DECLARED DISTANCES	
RWY 15L	RWY 33R
3750 TAKE OFF RUN AVAILABLE	3750
4050 TAKE OFF DISTANCE AVAILABLE	4050
3870 ACCELERATE STOP DISTANCE AVAILABLE	3870
3750 LANDING DISTANCE AVAILABLE	3750



VERTICAL SCALE 1:2500

HORIZONTAL SCALE 1:25000



ITEM	SYMBOL	
	Plan	Profile
Tree or shrub	*	Identification number
Pole tower spire antenna etc	o	
Building or large structure	=	
Railroad	+++	
Transmission line or overhead cable	---	
Peak or Mountain	*	
Terrain penetrating obstacle plane	⬢	
Stopway(SWY)	▭	
Clearway(CWY)	▭	

OBSTACLES					
NO	COORDINATES(WGS-84)		ELEV(AMSL)	ITEM	NOTE
1	37°27'15.0"N	126°27'59.9"E	8.0	Landing light	
2	37°27'14.7"N	126°28'00.1"E	8.5	Antenna	

ORDER OF ACCURACY

HORIZONTAL 5.0 m
VERTICAL 0.5 m

AMENDMENT RECORD		
NO	DATE	ENTERED BY

AERODROME OBSTACLE CHART - ICAO
TYPE - A (OPERATING LIMITATIONS)

SEOUL / Incheon Intl

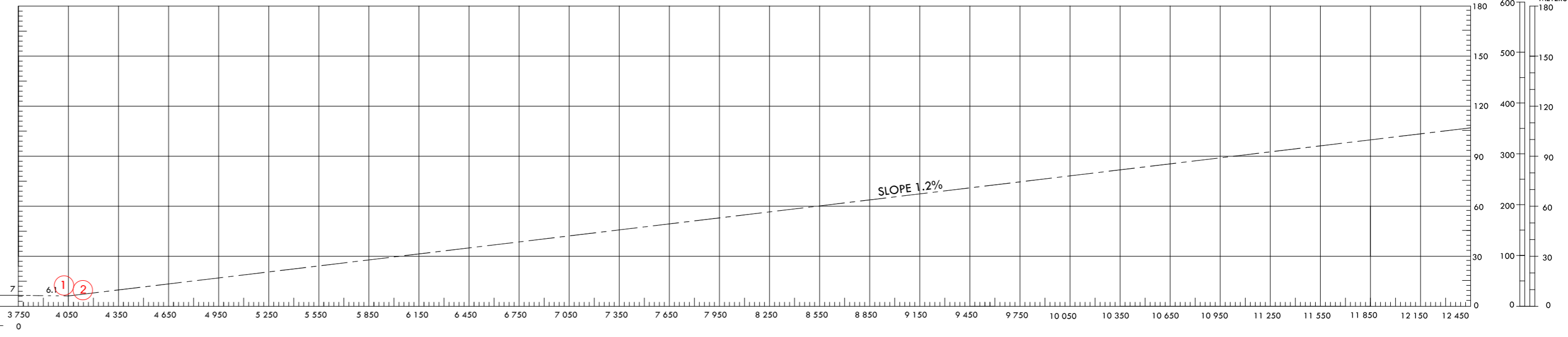
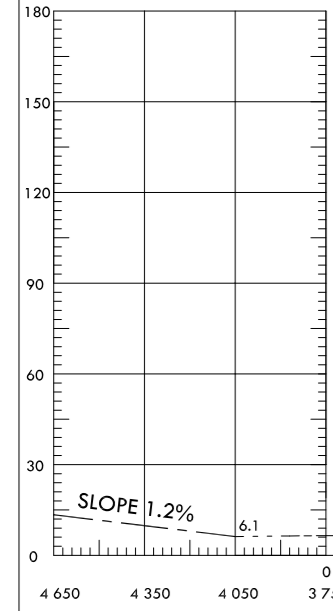
DIMENSIONS AND ELEVATIONS IN METERS

MAGNETIC VARIATION 8° W - 2015

RWY 15R / 33L

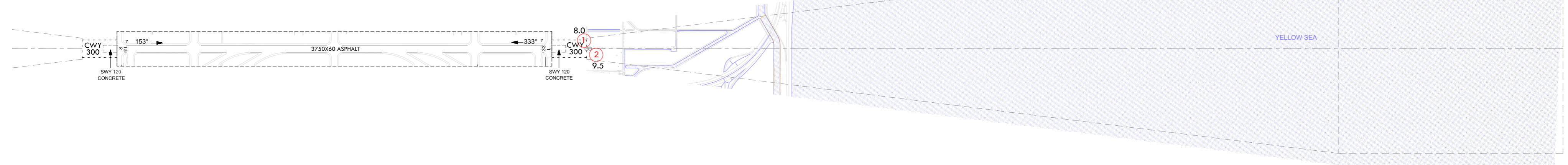
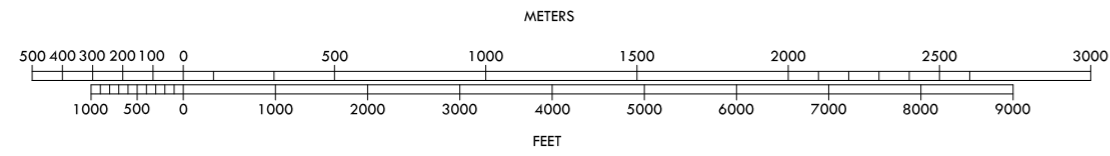
DECLARED DISTANCES

RWY 15R		RWY 33L	
3750	TAKE OFF RUN AVAILABLE	3750	
4050	TAKE OFF DISTANCE AVAILABLE	4050	
3870	ACCELERATE STOP DISTANCE AVAILABLE	3870	
3750	LANDING DISTANCE AVAILABLE	3750	



VERTICAL SCALE 1:2500

HORIZONTAL SCALE 1:25000



ITEM	SYMBOL	
	Plan	Profile
Tree or shrub	*	Identification number
Pole tower spire antenna etc	o	
Building or large structure	*	
Railroad	—+—+—	
Transmission line or overhead cable	—+—+—	
Peak or Mountain	*	
Terrain penetrating obstacle plane	⬭	
Stopway(SWY)	▭	
Clearway(CWY)	▭	

OBSTACLES					
NO	COORDINATES(WGS-84)		ELEV(AMSL)	ITEM	NOTE
1	37°27'07.3"N	126°27'46.1"E	8.0	Landing light	
2	37°27'06.9"N	126°27'46.4"E	9.5	Antenna	

ORDER OF ACCURACY

HORIZONTAL 5.0 m
VERTICAL 0.5 m

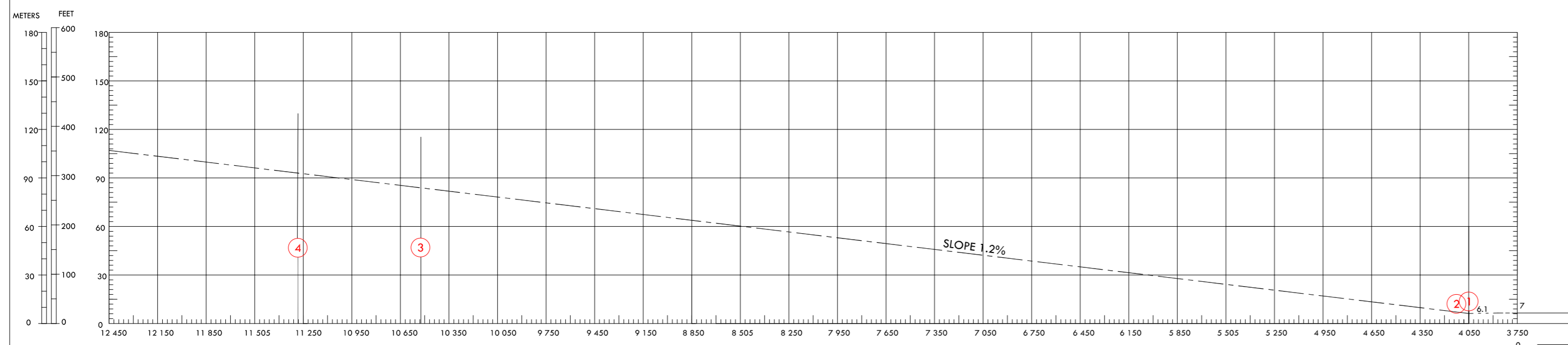
AMENDMENT RECORD		
NO	DATE	ENTERED BY

AERODROME OBSTACLE CHART - ICAO
TYPE - A (OPERATING LIMITATIONS)

SEOUL / Incheon Intl

DIMENSIONS AND ELEVATIONS IN METERS

MAGNETIC VARIATION 8° W - 2015



VERTICAL SCALE 1:2500

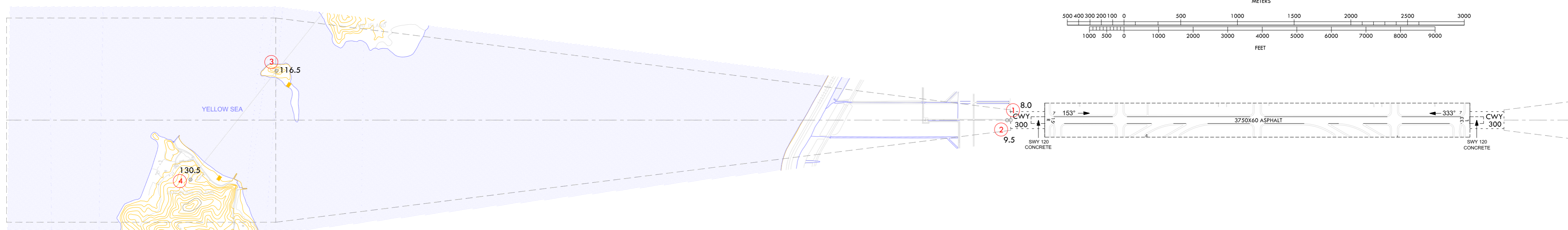
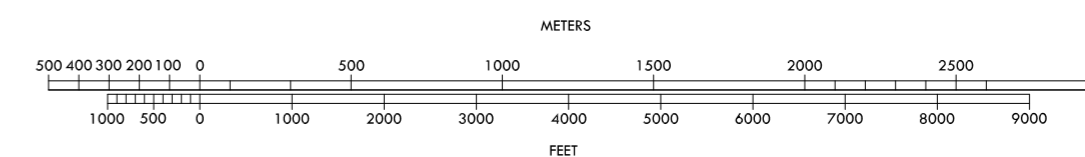
RWY 15R / 33L

DECLARED DISTANCES

RWY 15R		RWY 33L	
3750	TAKE OFF RUN AVAILABLE	3750	
4050	TAKE OFF DISTANCE AVAILABLE	4050	
3870	ACCELERATE STOP DISTANCE AVAILABLE	3870	
3750	LANDING DISTANCE AVAILABLE	3750	



HORIZONTAL SCALE 1:25000



ITEM	SYMBOL	
	Plan	Profile
Tree or shrub	*	Identification number
Pole tower spire antenna etc	o	
Building or large structure	*	
Railroad	—+—+—	
Transmission line or overhead cable	—+—+—	
Peak or Mountain	*	
Terrain penetrating obstacle plane	o	
Stopway(SWY)	—+—+—	
Clearway(CWY)	—+—+—	

OBSTACLES					
NO	COORDINATES(WGS-84)		ELEV(AMSL)	ITEM	NOTE
1	37°29'02.4"N	126°26'03.8"E	8.0	Landing light	
2	37°29'02.7"N	126°26'03.5"E	9.5	Antenna	
3	37°32'01.8"N	126°23'45.6"E	116.5	Tower	
4	37°32'03.9"N	126°22'55.8"E	130.5	Tower	

ORDER OF ACCURACY

HORIZONTAL 5.0 m
VERTICAL 0.5 m

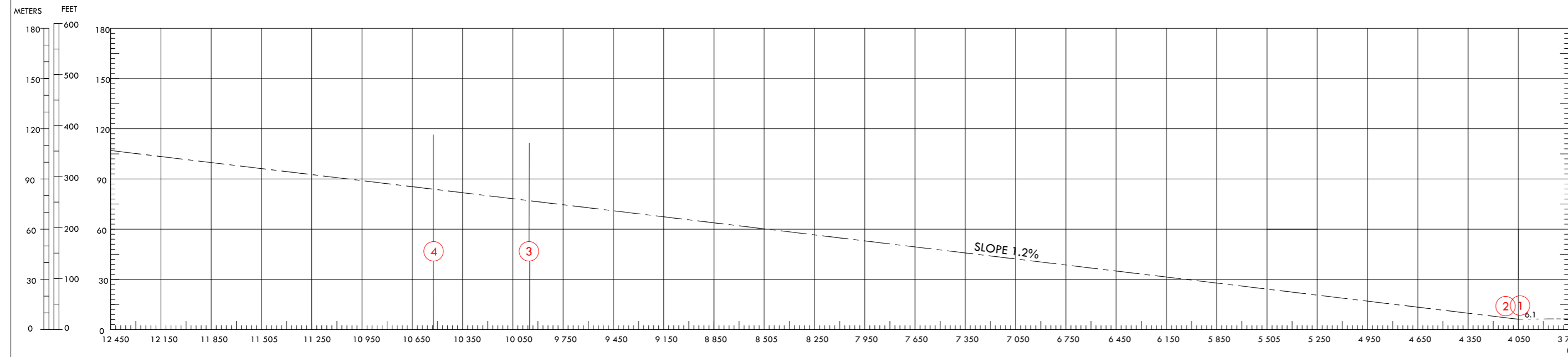
AMENDMENT RECORD		
NO	DATE	ENTERED BY

AERODROME OBSTACLE CHART - ICAO
TYPE - A (OPERATING LIMITATIONS)

SEOUL / Incheon Intl

DIMENSIONS AND ELEVATIONS IN METERS

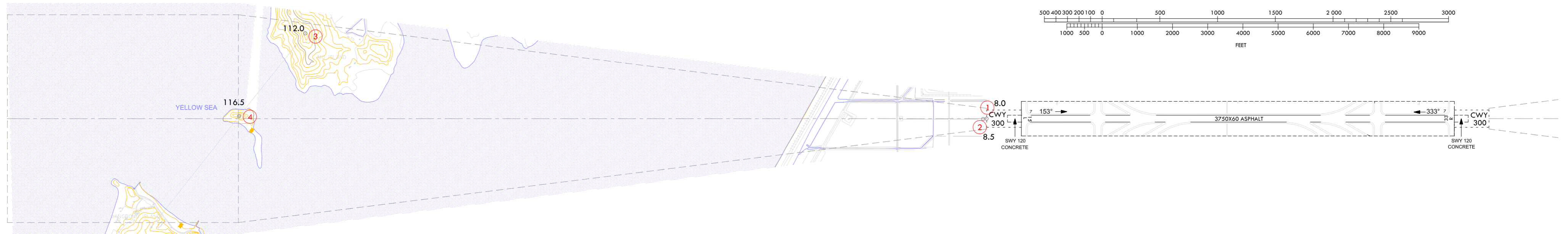
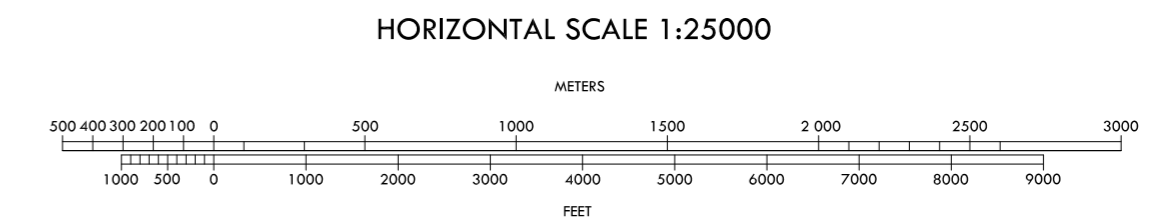
MAGNETIC VARIATION 8° W - 2015



VERTICAL SCALE 1:2500

RWY 15L / 33R

DECLARED DISTANCES		
	RWY 15R	RWY 33L
3750	TAKE OFF RUN AVAILABLE	3750
4050	TAKE OFF DISTANCE AVAILABLE	4050
3870	ACCELERATE STOP DISTANCE AVAILABLE	3870
3750	LANDING DISTANCE AVAILABLE	3750



LEGEND		
ITEM	SYMBOL	
	Plan	Profile
Tree or shrub	*	
Pole tower spire antenna etc	o	
Building or large structure	■	
Railroad	—+—+—+—+—	
Transmission line or overhead cable	— — — — —	
Peak or Mountain	*	
Terrain penetrating obstacle plane		
Stopway(SWY)		
Clearway(CWY)		

OBSTACLES					
NO	COORDINATES(WGS-84)		ELEV(AMSL)	ITEM	NOTE
1	37°29'10.1"N	126°26'17.5"E	8.0	Landing light	
2	37°29'10.4"N	126°26'17.2"E	8.5	Antenna	
3	37°32'00.1"N	126°24'12.9"E	112.0	Tower	
4	37°32'01.8"N	126°23'45.6"E	116.5	Tower	

ORDER OF ACCURACY

HORIZONTAL 5.0 m
VERTICAL 0.5 m

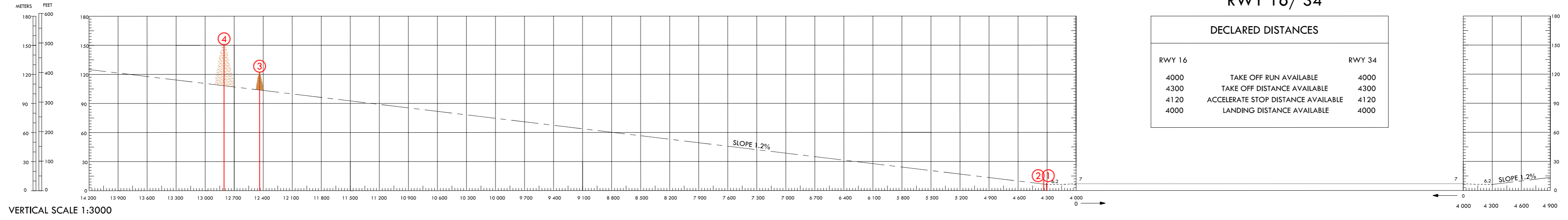
AMENDMENT RECORD		
NO	DATE	ENTERED BY

AERODROME OBSTACLE CHART - ICAO
TYPE - A (OPERATING LIMITATIONS)

SEOUL / Incheon Intl

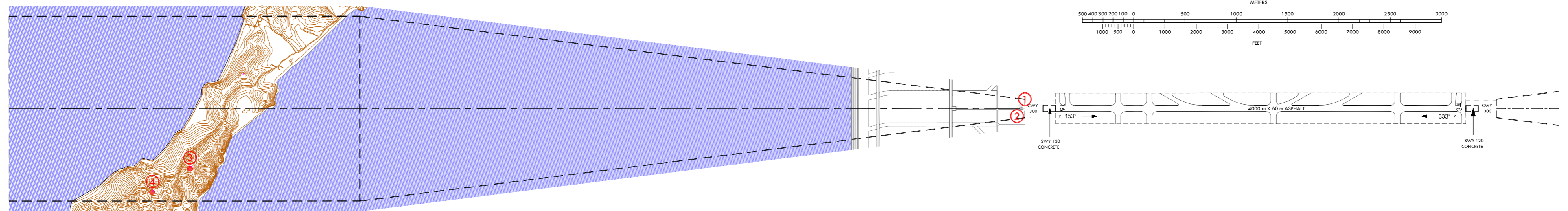
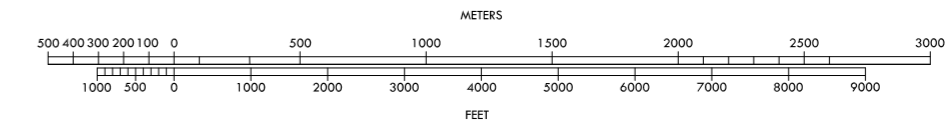
DIMENSIONS AND ELEVATIONS IN METERS

MAGNETIC VARIATION 8° W - 2015



VERTICAL SCALE 1:3000

HORIZONTAL SCALE 1:30000



LEGEND		
ITEM	SYMBOL	
	Plan	Profile
Tree or shrub	*	Identification number
Pole tower spire antenna etc	o	
Building or large structure	-	
Railroad	—+—+—+—	
Transmission line or overhead cable	—+—+—+—	
Peak or Mountain	*	
Terrain penetrating obstacle plane	⬭	
Stopway(SWY)	▭	
Clearway(CWY)	▭	

OBSTACLES					
NO	COORDINATES(WGS-84)		ELEV(AMSL)	ITEM	NOTE
1	37°28'30.1"N	126°24'48.9"E	8.0	Landing light	
2	37°28'30.4"N	126°24'48.6"E	10.0	Antenna	
3	37°31'56.0"N	126°21'16.2"E	128.5	Mountain	
4	37°32'03.3"N	126°20'56.5"E	155.5	Mountain	

ORDER OF ACCURACY

HORIZONTAL 5.0 m
VERTICAL 0.5 m

AMENDMENT RECORD		
NO	DATE	ENTERED BY

**AERODROME OBSTACLE CHART - ICAO
TYPE - A (OPERATING LIMITATIONS)**

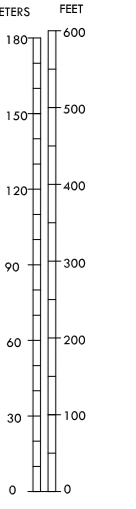
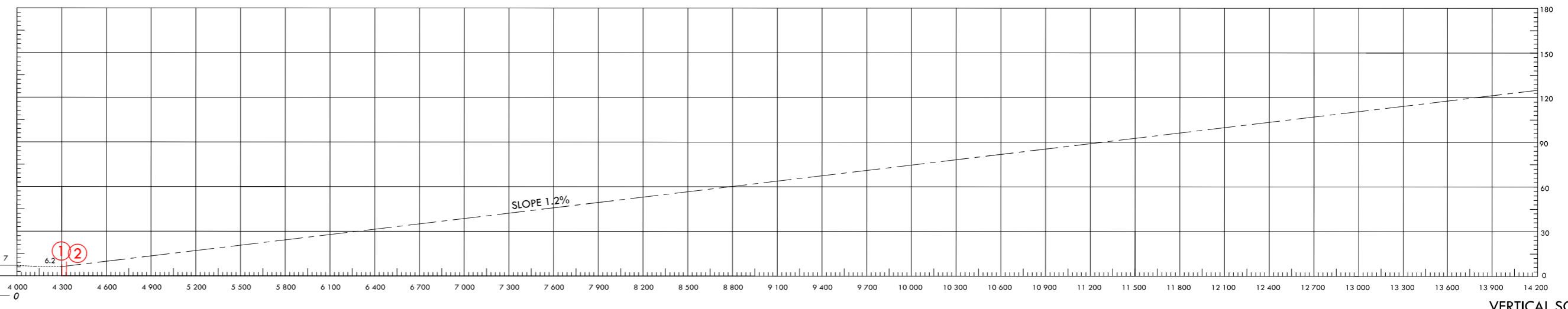
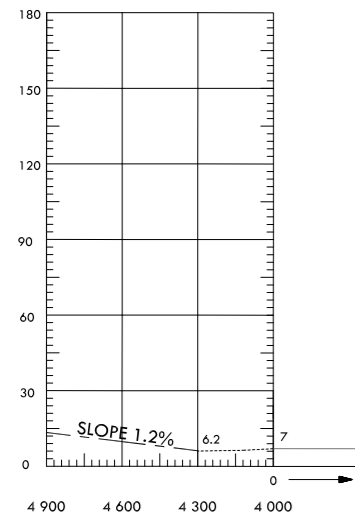
SEOUL / Incheon Intl

DIMENSIONS AND ELEVATIONS IN METERS

MAGNETIC VARIATION 8° W - 2015

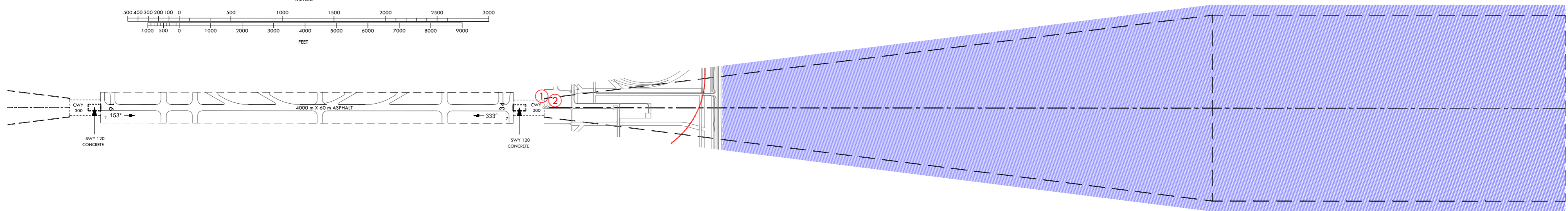
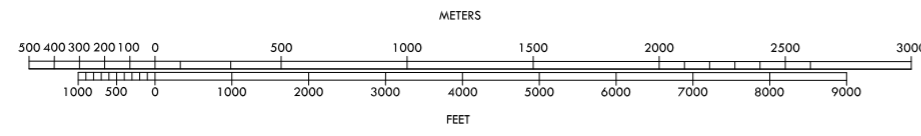
RWY 16/34

DECLARED DISTANCES		
RWY 16		RWY 34
4000	TAKE OFF RUN AVAILABLE	4000
4300	TAKE OFF DISTANCE AVAILABLE	4300
4120	ACCELERATE STOP DISTANCE AVAILABLE	4120
4000	LANDING DISTANCE AVAILABLE	4000



VERTICAL SCALE 1:3000

HORIZONTAL SCALE 1:30000



ITEM	SYMBOL	
	Plan	Profile
Tree or shrub	*	Identification number
Pole tower spire antenna etc	o	
Building or large structure	-	
Railroad	—+—+—+—	
Transmission line or overhead cable	— — — — —	
Peak or Mountain	^	
Terrain penetrating obstacle plane	⬭	
Stopway(SWY)	⬭	
Clearway(CWY)	⬭	

OBSTACLES					
NO	COORDINATES(WGS-84)		ELEV(AMSL)	ITEM	NOTE
1	37°26'28.3"N	126°26'37.3"E	8.0	Landing light	
2	37°26'27.9"N	126°26'37.6"E	9.5	Antenna	

ORDER OF ACCURACY

HORIZONTAL 5.0 m
VERTICAL 0.5 m

AMENDMENT RECORD		
NO	DATE	ENTERED BY